



Applies To: **2000-02 S2000 – ALL**
2003 S2000 – From VIN JHMAP1...3T000001 thru JHMAP1...3T002606

April 29, 2003

Driver's Window Does Not Go Down All the Way

(Supersedes 01-008, dated March 19, 2002)

SYMPTOM

When the top is lowered or raised, or the driver tries to use the AUTO down function for the power window, the window goes down only 3 or 4 inches. The window goes down all the way if you push and hold the power window switch.

PROBABLE CAUSE

Contamination in the window motor causes a loss of electrical ground.

CORRECTIVE ACTION

Replace the window regulator assembly.

PARTS INFORMATION

Left Window Regulator Assembly:
P/N 72250-S2A-A03, H/C 7398753

WARRANTY CLAIM INFORMATION

In warranty: The normal warranty applies.

Operation Number: 826150

Flat Rate Time: 1.0 hour

Failed Part: P/N 72250-S2A-A01
H/C 6240436

Defect Code: 032

Contention Code: B01

Template ID: 01-008A

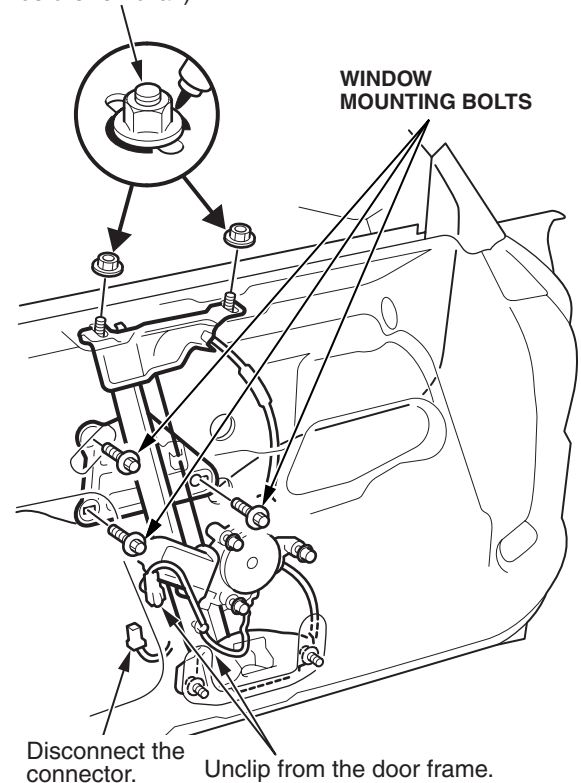
Skill Level: Repair Technician

Out of warranty: Any repair performed after warranty expiration may be eligible for goodwill consideration by the District Parts and Service Manager or your Zone Office. You must request consideration, and get a decision, before starting work.

REPAIR PROCEDURE

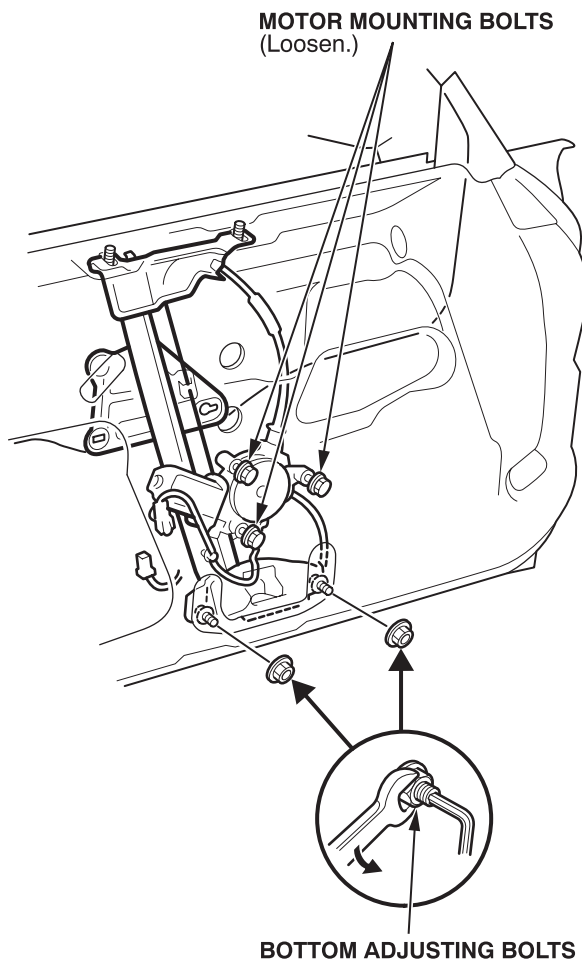
1. Raise the window fully, then remove the driver's door panel.
2. Remove the plastic inner liner by carefully cutting the adhesive with a razor blade.
3. Use masking tape to tape the window to the outside molding so the window will not drop when you remove it from the regulator.
4. Remove the window mounting bolts.

REGULATOR UPPER MOUNTING NUTS
(Mark position before removal.)



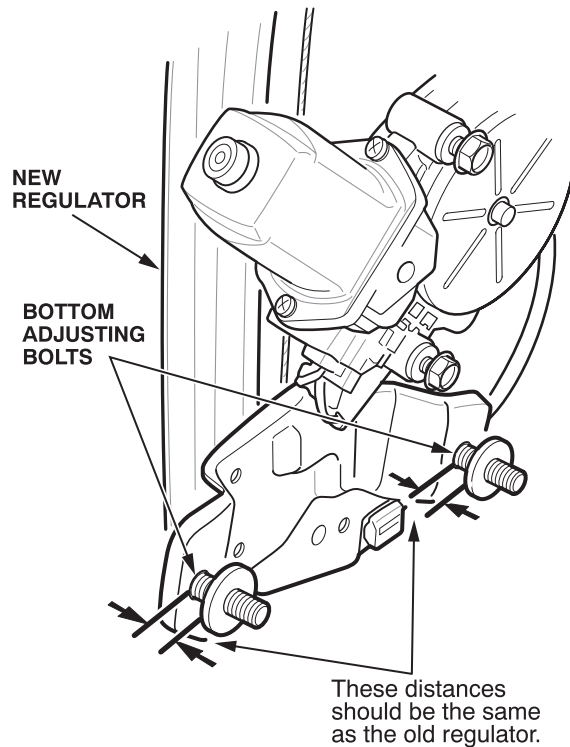
5. Unclip the harness from the door frame.
6. Disconnect the 3P harness connector for the window regulator assembly.
7. Use a felt-tip marker to mark the location of the regulator upper mounting nuts, then remove the nuts.

8. Remove the nuts from the two bottom adjusting bolts.



9. Loosen the three motor mounting bolts, and push the heads inside the door.
10. Move the bottom of the regulator toward the front of the door, and tilt the regulator backward. While tilting the top of the window inward, remove the regulator through the access hole toward the back of the door.

11. Measure the distances between the flanges on the bottom adjusting bolts and the regulator body on the old regulator. Adjust the bolts on the new regulator to the same distance.



12. Install the new regulator inside the door.
13. Torque the motor mounting bolts to 8 N·m (6 lb-ft).
14. Install the nuts on the two bottom adjusting bolts. Torque the nuts to 12 N·m (9 lb-ft).
15. Position the regulator at the marks you made in step 7, then torque the upper mounting nuts to 12 N·m (9 lb-ft).
16. Install the window mounting bolts. Torque them to 8 N·m (6 lb-ft).
17. Reconnect the 3P harness connector, and clip it to the door frame.
18. Remove the masking tape. Reconnect the door switches, then verify that the window goes up and down properly.
19. Reinstall the plastic inner liner and the door panel.