


 Applies To: **2000-01 S2000 – ALL**
November 26, 2002

Convertible Top Does Not Open Properly

SYMPTOM

When opening the top, the second rib may not pivot properly, and may keep the top from opening fully.

PROBABLE CAUSE

- The hinge at the second rib of the convertible top may need lubrication.
- The elastic bands that connect the top's second rib to the third rib stretch and lose their elasticity.

CORRECTIVE ACTION

Lubricate the hinges at the second support rib (if needed), and replace the elastic bands.

PARTS INFORMATION

Elastic Band Plate:

P/N 86021-S2A-003, H/C 6244206
(Four required)

Elastic Band:

P/N 86020-S2A-003, H/C 6244198
(Two required)

Pop Rivet (3.6mm):

P/N 86006-S2A-003, H/C 6244032
(Eight required)

White Lithium Grease Spray:

P/N 08732-0005, H/C 2963718
(One can will repair approximately 45 vehicles.)

WARRANTY CLAIM INFORMATION

In warranty: The normal warranty applies.

Operation Number: 814006

Flat Rate Time: 1.0 hour

Failed Part: P/N 86020-S2A-003
H/C 6244198

Defect Code: 061

Contention Code: B99

Template ID: 02-065A

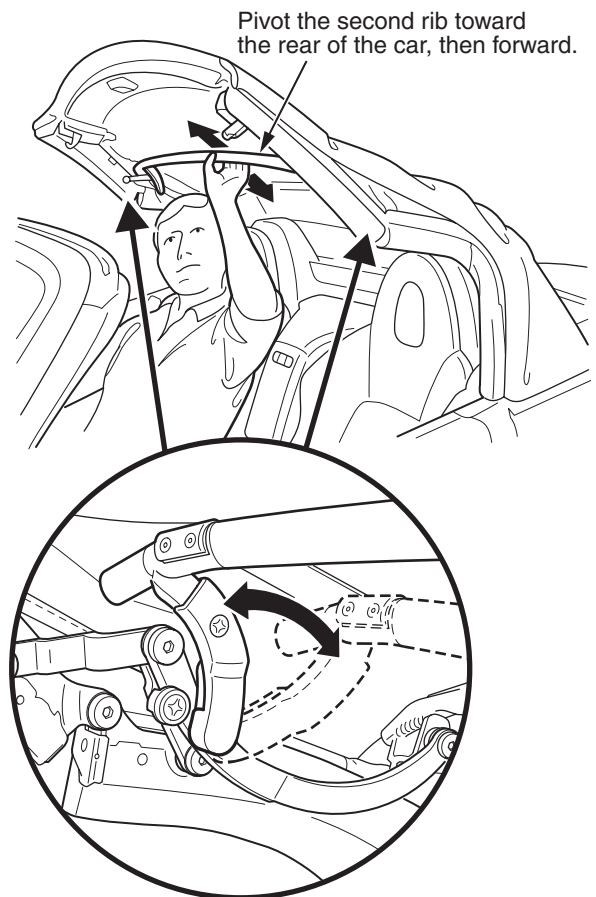
Skill Level: Repair Technician

Out of warranty: Any repair performed after warranty expiration may be eligible for goodwill consideration by the District Parts and Service Manager or your Zone Office. You must request consideration, and get a decision, before starting work.

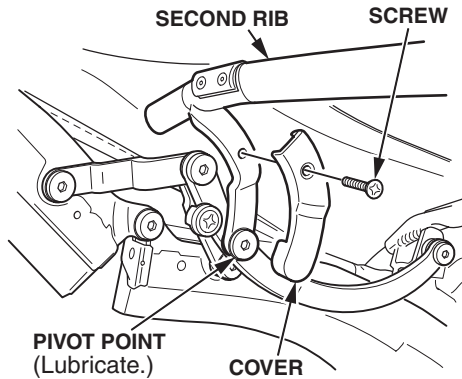
REPAIR PROCEDURE

NOTE: Protect the interior of the car with a blanket during this procedure.

1. Unlatch the convertible top, and open the top approximately 12 inches.
2. Grasp the second rib of the convertible top and pivot the second rib toward the rear of the car, then forward.
 - If the second rib of the top does not pivot easily, go to step 3.
 - If the second rib of the top pivots easily, go to step 4.



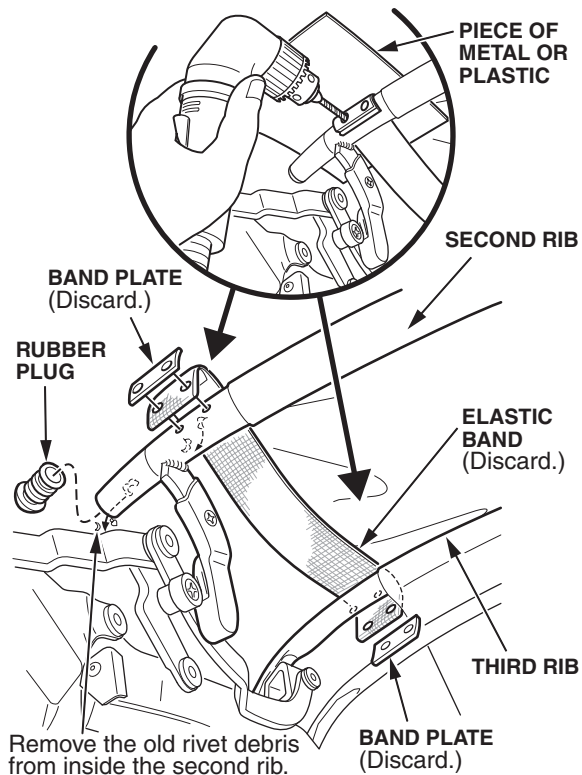
3. Remove the covers from the left and right pivot point of the second rib, and lubricate the pivot point.
 - If the second rib of the top still does not pivot easily, replace the damaged components. Refer to section 20 of the 2000–03 S2000 Service Manual.
 - If the second rib of the top now pivots easily, go to step 4.



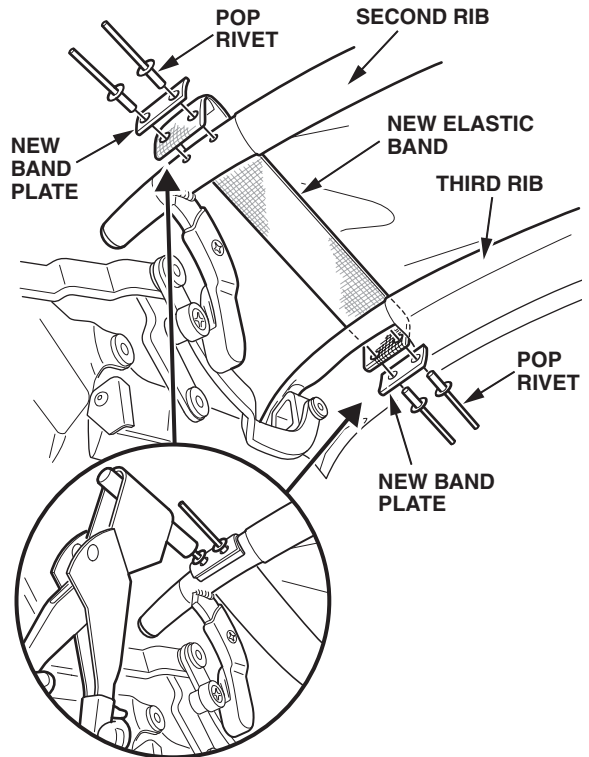
NOTICE

To prevent damage to the convertible top, place a piece of metal or plastic between the rib and the fabric when you cut or drill the rivets from the ribs.

4. Using a cutoff wheel or a 90-degree drill with a bit no larger in diameter than the rivet, cut the heads off of the eight pop rivets that secure the two elastic bands to the second and third ribs of the convertible top.



5. Remove the four plates that secure the elastic bands, and remove the elastic bands.
6. Continue to drill or cut off the remaining portions of the rivets. Be careful not to make the hole in the rib any larger or the new pop rivet will not hold securely.
7. Remove the rubber plugs from the ends of the second rib, and shake the rib to remove the old pop rivet. Reinstall the rubber plugs.
8. Install the new elastic bands with the new band plates, and secure them with new pop rivets.



9. Remove the blanket, and vacuum the vehicle.
10. Open and close the roof several times to ensure that the second rib of the roof is pivoting rearward properly.