

Headlight Adjustment

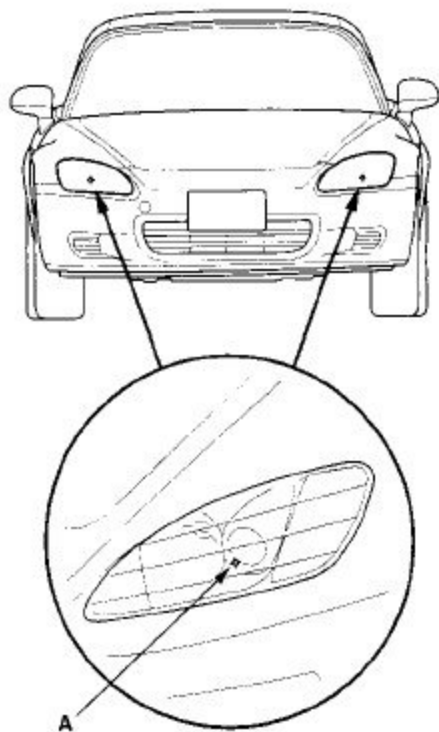
CAUTION

Headlights become very hot during use; do not touch them or any attaching hardware immediately after they have been turned off.

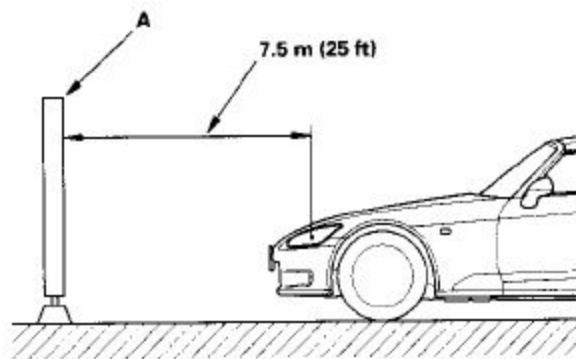
Before adjusting the headlights:

- Park the vehicle on a level surface.
- Make sure the tire pressures are correct.
- The driver or someone who weights the same should sit in the driver's seat.

1. Clean the outer lens so that you can see the center of the headlights (A).



2. Park the vehicle 7.5 m (25 ft) away from a wall or a screen (A).

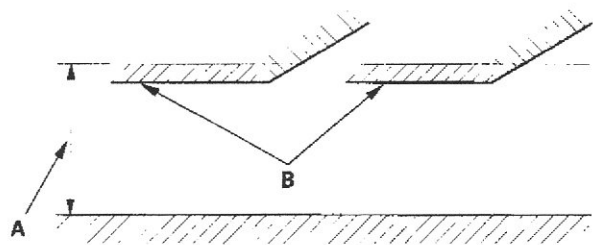


3. Open the hood.

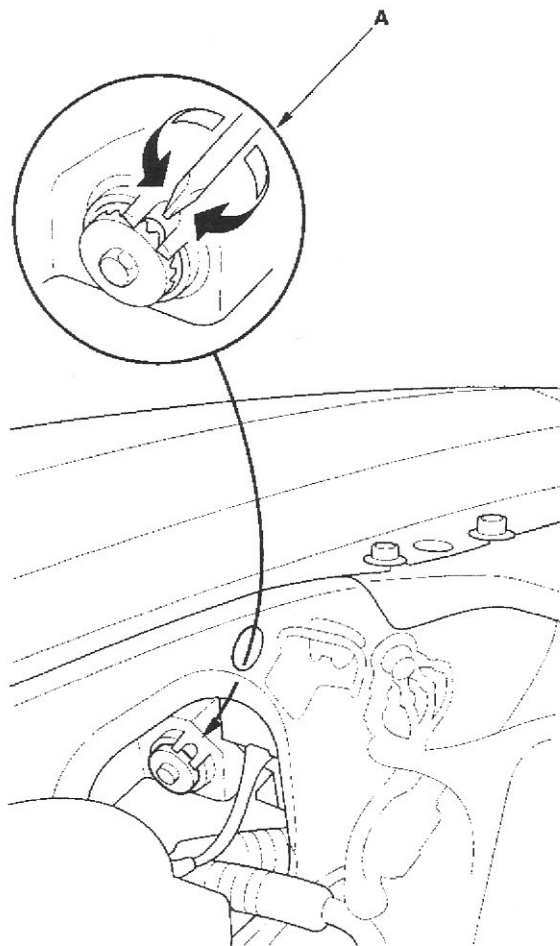
4. Turn the low beams on.
5. Determine if the headlights are aimed properly.

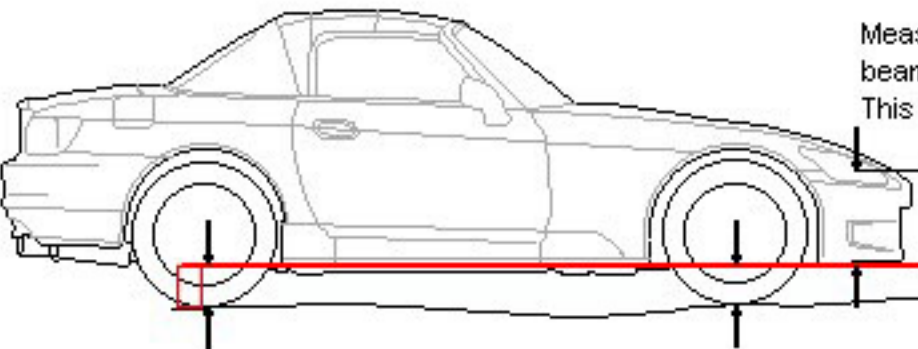
Vertical adjustment:

Measure the height of the headlights (A). The lights should reflect 52 mm (2.1 in.) below headlight height (B).



6. If necessary, adjust the headlights to local requirements by turning the vertical adjuster (A).





Measure the difference between the beam and the center of headlight
This will be dimension B.

The headlights should hit the wall at B - 2.1"

B - 2.1 "

Make these 2 measurements the same

