



# INSTALLATION INSTRUCTIONS

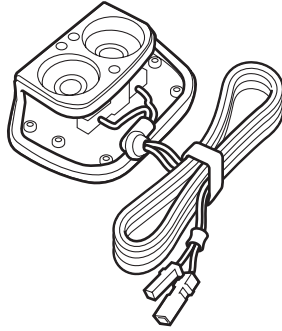
Accessory  
**HEADREST SPEAKER SYSTEM**

Application  
**S2000**

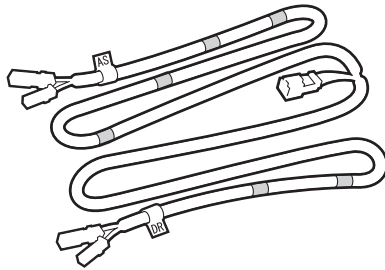
Publications No.  
**All 26324**  
Issue Date  
**OCT 2004**

**PARTS LIST**  
**Headrest Speaker System**  
**P/N 08A54-S2A-100**

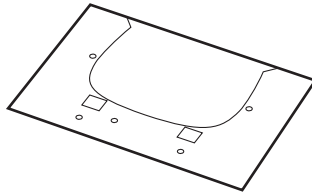
2 Headrest speakers



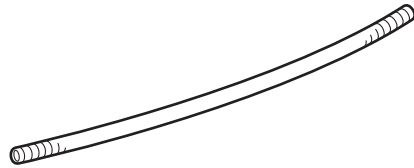
Speaker harness



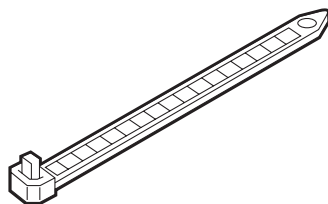
Template



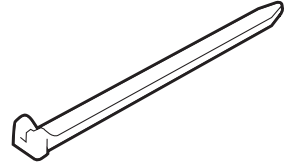
2 Corrugated tubes



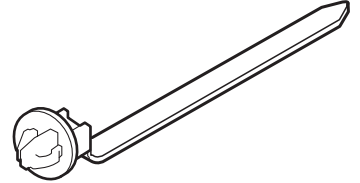
17 Wire ties  
(3 not used)



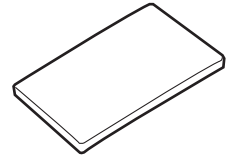
3 Small wire ties



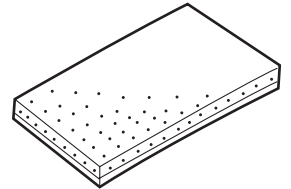
9 Wire ties with clip  
(2 not used)



4 Cushion tapes



4 EPT sealers



8 Self-tapping screws, 4 x 10 mm



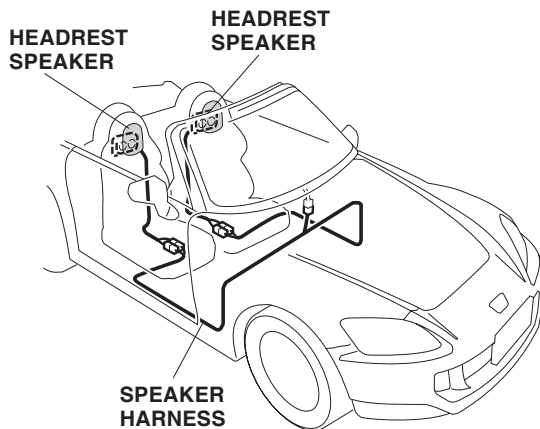
Harness clip



## TOOLS AND SUPPLIES REQUIRED

Phillips screwdriver  
Flat-tip screwdriver  
Diagonal cutters  
Ratchet  
10 mm, 12 mm, and 14 mm Sockets  
10 mm Combination wrench  
Utility knife  
Drill  
3 mm, 5 mm, and 10 mm Drill bits)  
Felt-tip pen  
Vinyl tape  
Pushpin  
Blanket or cardboard  
File  
Scissors  
Piece of steel wire (about 100 cm long)  
Isopropyl alcohol  
Shop towel

### Illustration of the headrest speakers installed on the car



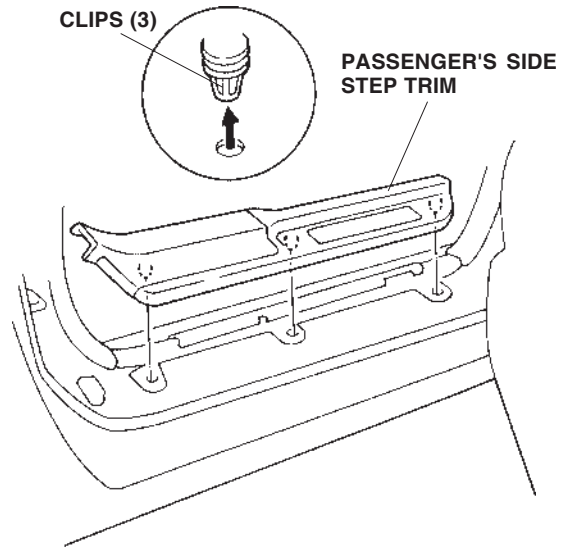
## INSTALLATION

**Customer Information:** The information in this Installation Instruction is intended for use only by skilled technicians who have the proper tools, equipment, and training to correctly and safely add equipment to your vehicle. These procedures should not be attempted by “do-it-yourselfers.”

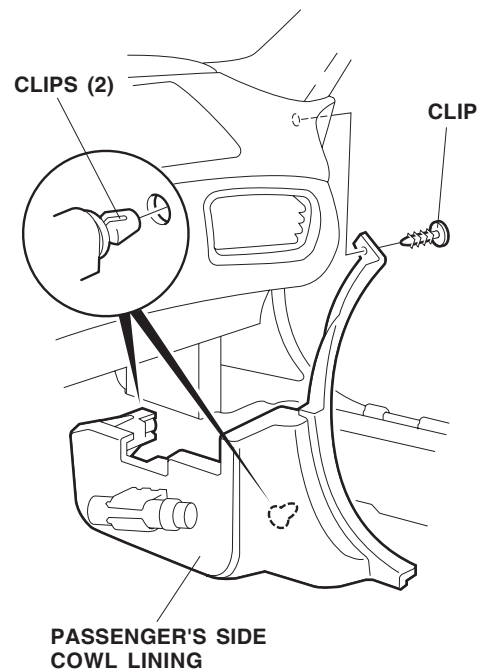
**NOTE:** These instructions show the driver’s side headrest speaker being installed. The same procedure applies to installing the passenger’s side headrest speaker.

1. Make sure you have the anti-theft code for the radio, then write down the radio station presets.
2. Disconnect the negative cable from the battery.

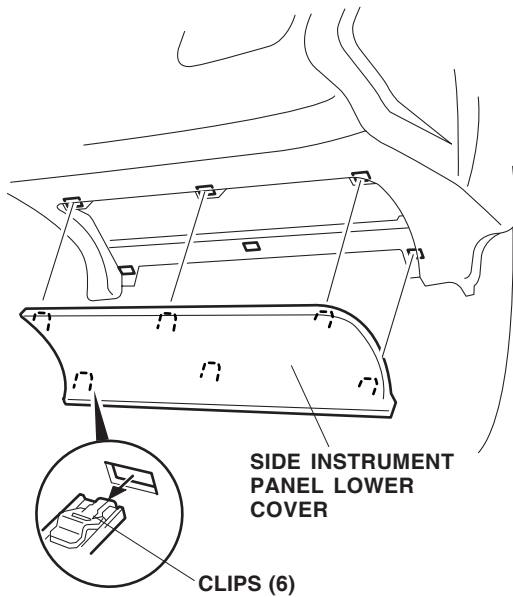
- 3.. Pry up on the three clips and remove the passenger’s side step trim.



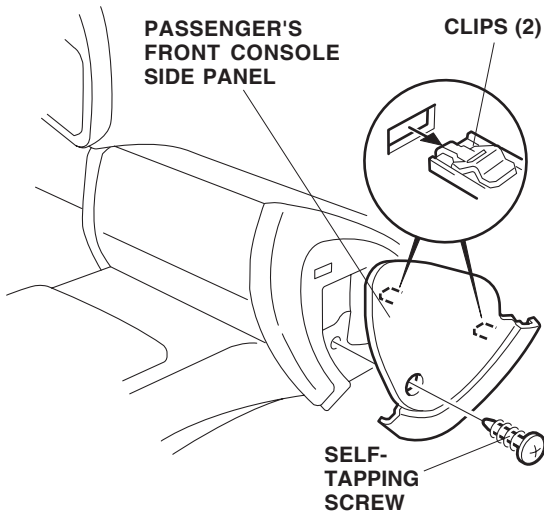
4. Remove the passenger's side cowl lining (three clips).



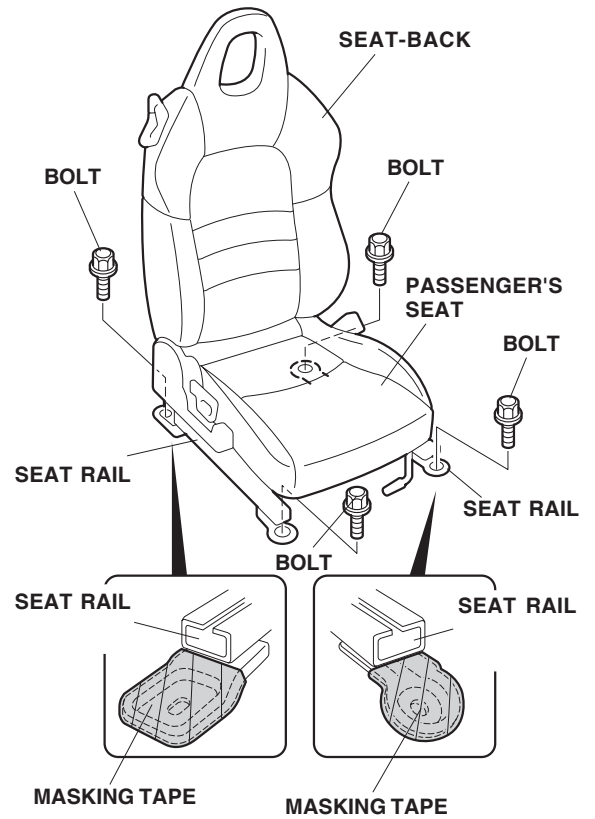
5. Pry up on the six clips and remove the side instrument panel lower cover.



6. Remove the passenger's front console side panel (one self-tapping screw and two clips).

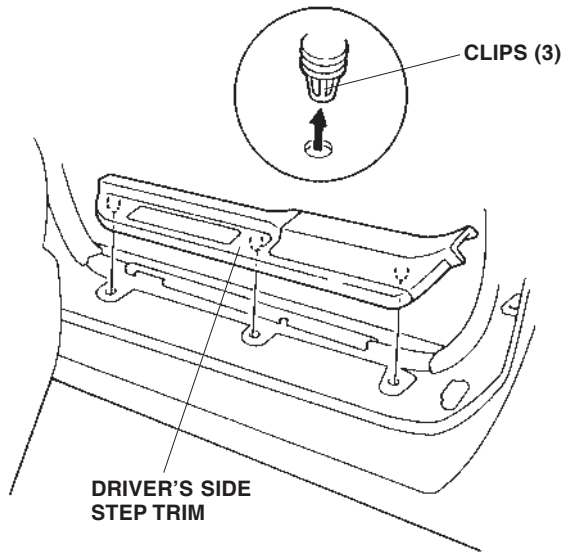


7. Remove the two bolts securing the front of the passenger's seat rails and tilt the seat-back forward. Slide the seat forward, then remove the two bolts from the rear of the seat rails.
8. Wrap masking tape around the front and rear ends of both seat rails as shown.

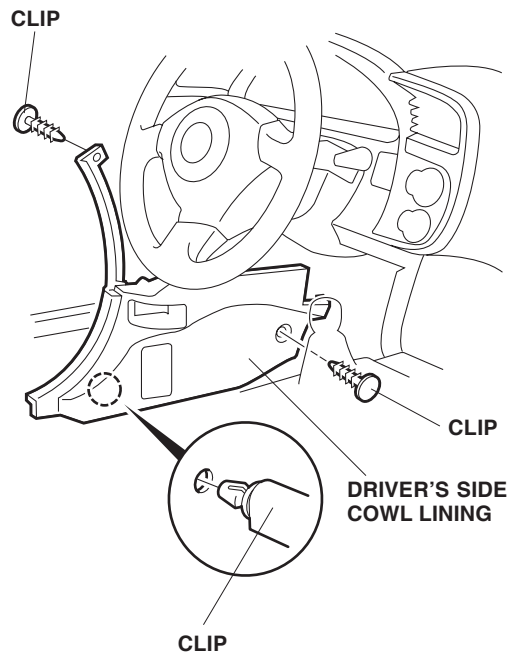


9. Remove the passenger's seat from the vehicle. To prevent damage, put the seat on a blanket or a large piece of cardboard.

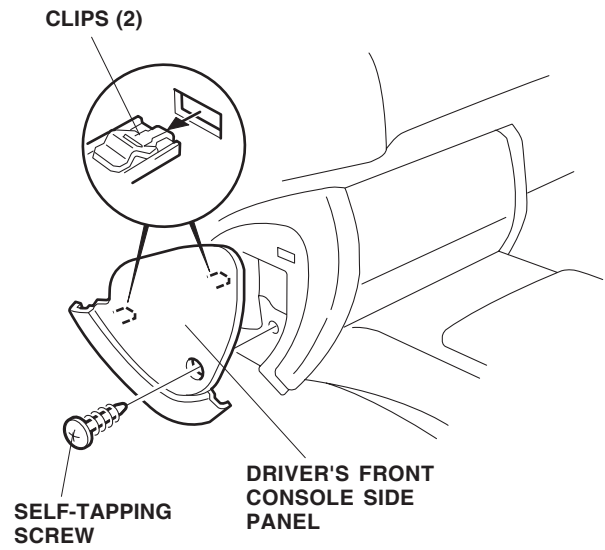
10. Pry up on the three clips and remove the driver's side step trim.



11. Remove the driver's side cowl lining (three clips).

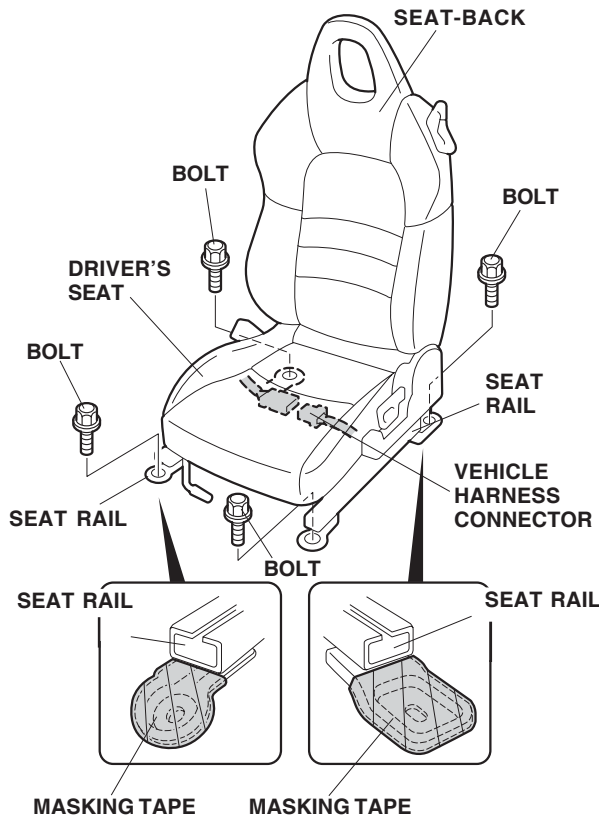


12. Remove the driver's front console side panel (one self-tapping screw and two clips).



- Remove the two bolts securing the front of the driver's seat rails and tilt the seat-back forward. Slide the seat forward then remove the two bolts from the rear of the seat rails.  
Front bolt tightening torque: 18.6 -24.5 N·m (1.9-2.5 kgf·m)  
Rear bolt tightening torque: 34.3-44.1 N·m (3.5-4.5 kgf·m)

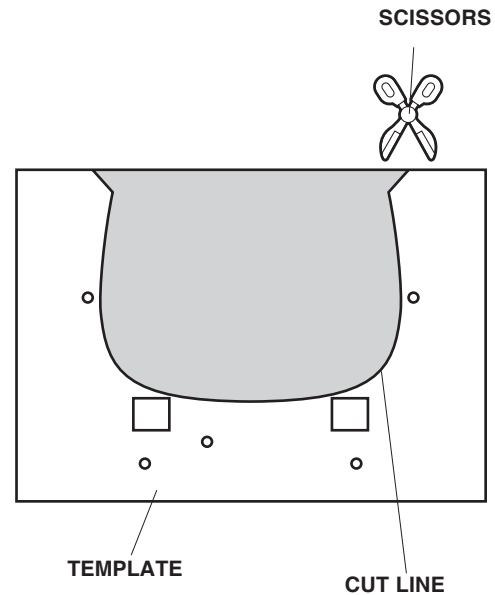
- Wrap masking tape around the front and rear ends of both seat rails as shown.



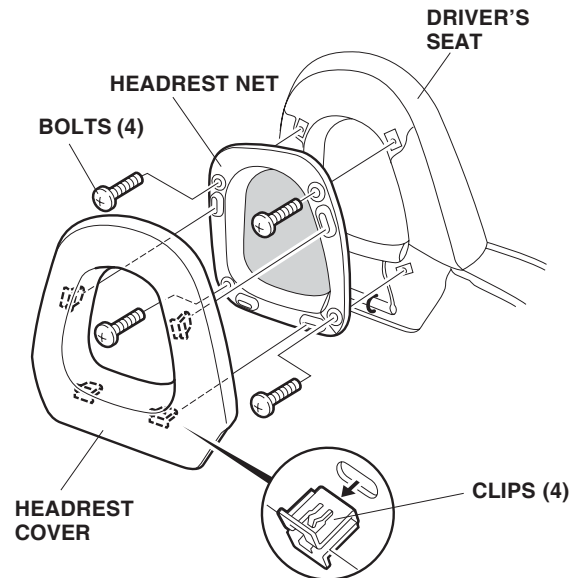
- Unplug the vehicle connectors behind the driver's seat and remove the seat from the vehicle. Be careful not to damage the vehicle with the seat rails. To prevent damage, put the seat on a blanket or a large piece of cardboard.

### Reworking on the Headrest Covers

- Get the template from the kit and, using scissors, cut out the marked area from the template as shown.

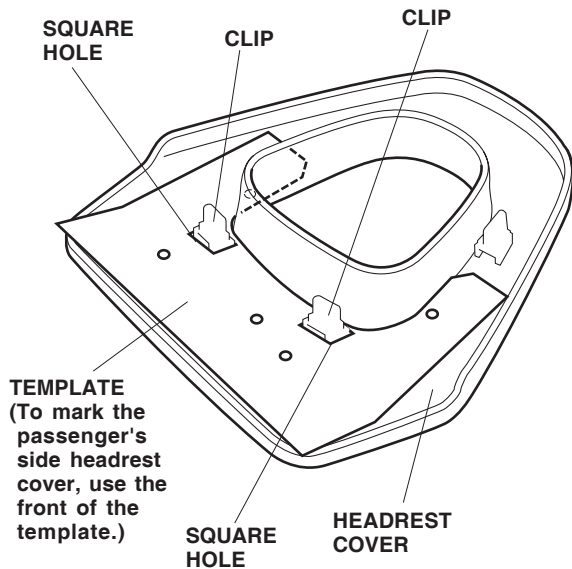


- Pry up on the four clips and remove the headrest cover from the driver's seat.

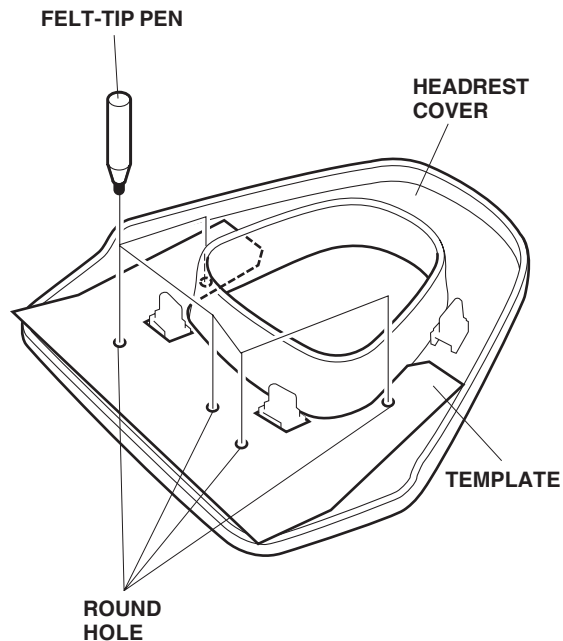


- Remove the four bolts fastening the headrest net to the driver's seat and remove the net.

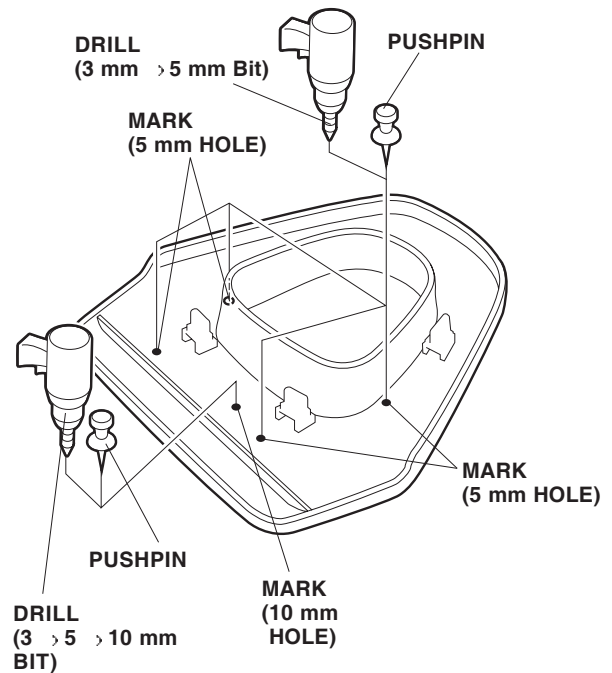
19. Turn the template upside down, then place it on the inside of the headrest cover as shown. Align the two square holes with the clips on the headrest cover. To mark the passenger's side headrest cover, use the front of the template.



20. While holding the template firmly against the headrest cover, mark the cover at each of the five round holes in the template with a felt-tip pen.



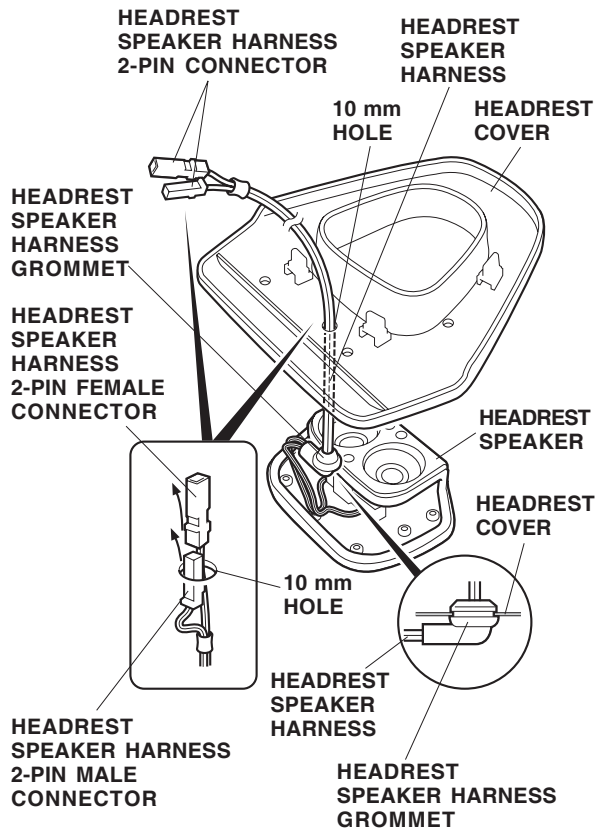
21. Remove the template from the headrest cover. Using a pushpin, pierce the headrest cover at each of the five marks you just made.



22. While wearing eye protection, use a drill to drill one 10 mm hole and four 5 mm holes through the marked locations as shown. First, drill with a 3 mm bit, then a 5 mm bit for the four 5 mm holes. To drill the 10 mm hole first drill with a 3 mm bit, and then with a 5 mm bit, and finish with a 10 mm bit.
23. Remove any burrs from the edges of the holes with a file.
24. Repeat steps 17 through 23 on the passenger's side.

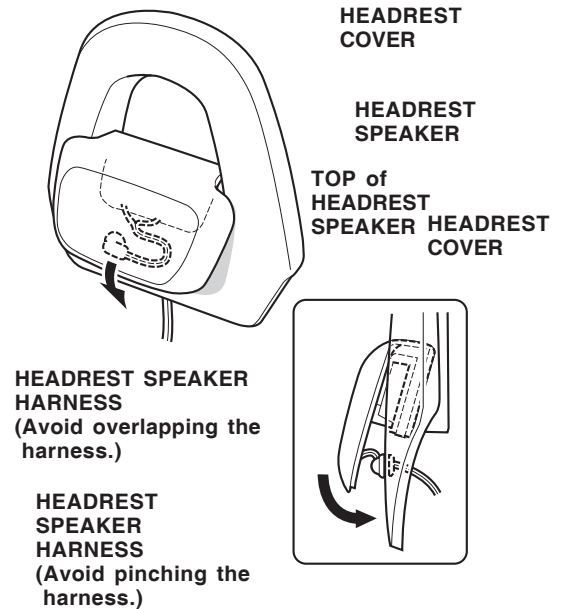
## Installing the Headrest Speakers

25. Route the 2-pin female and male connectors up through the 10 mm hole you made in step 22. Put through the 2-pin female connector first.

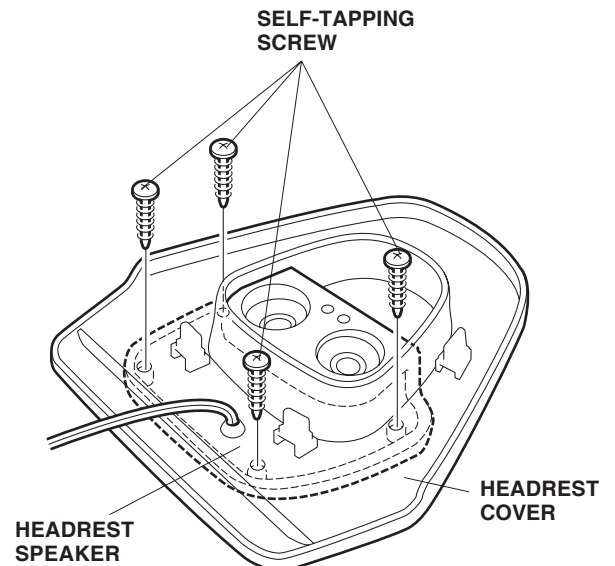


26. Seat the grommet in the 10 mm hole on the headrest speaker harness as shown.

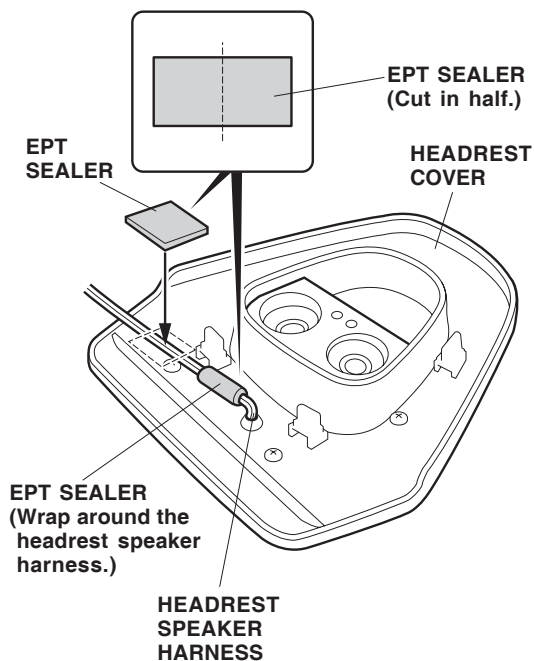
27. Make sure the headrest speaker harness lies flat and straight under the headrest speaker.



28. Fit the top of the headrest speaker to the headrest cover first, then push the bottom into position. Make sure the speaker harness is not pinched.
29. Secure the headrest speaker to the headrest cover with the four self-tapping screws.



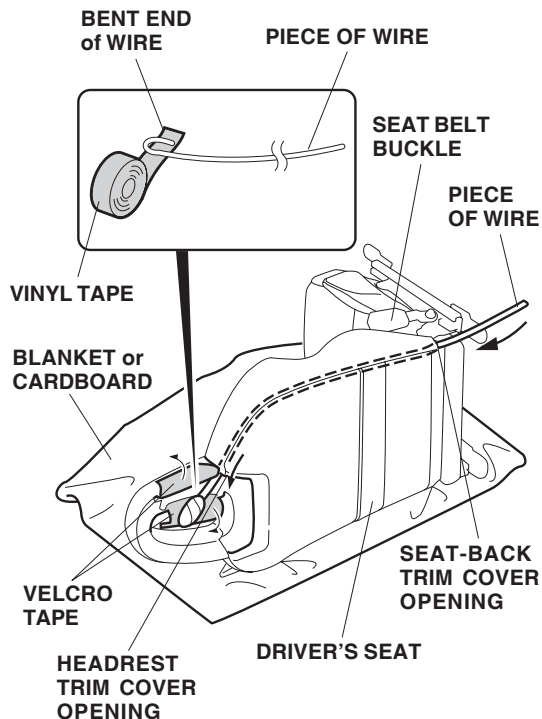
30. Using scissors, cut the EPT sealer in half.
31. Using isopropyl alcohol on a shop towel, thoroughly clean the areas where the EPT sealers will attach.
32. Wrap one piece of the EPT sealer around the speaker harness as shown.
33. Route the headrest speaker harness to the left of the headrest cover and secure it to the headrest cover with the remaining piece of EPT sealer.



34. Repeat steps 25 through 33 for the passenger's side.

### Routing the Headrest Speaker Harnesses

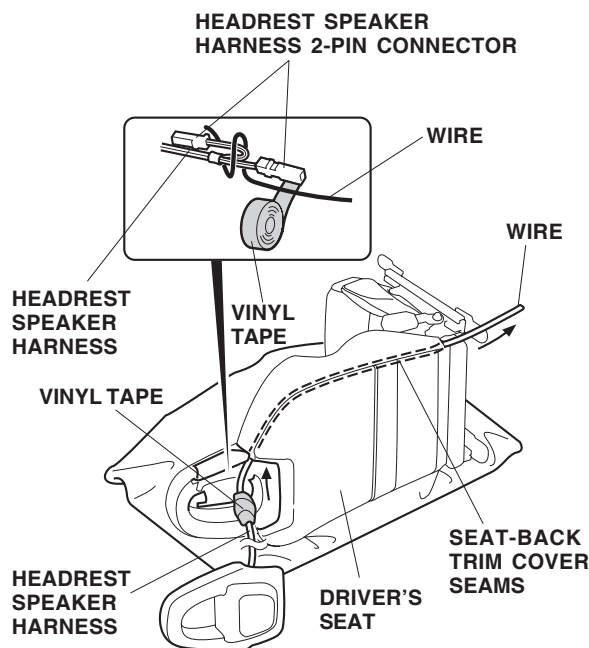
35. Remove the Velcro tape from the headrest trim cover.



36. Place the driver's seat on its side so that the seat belt buckle is facing up.
37. Bend back one end of a piece of wire, then wrap vinyl tape around the end as shown.
38. Thread the bent end of the wire through the opening in the seat-back trim cover under the driver's seat, then through the opening in the headrest trim cover, as shown. Make sure not to damage the driver's seat.

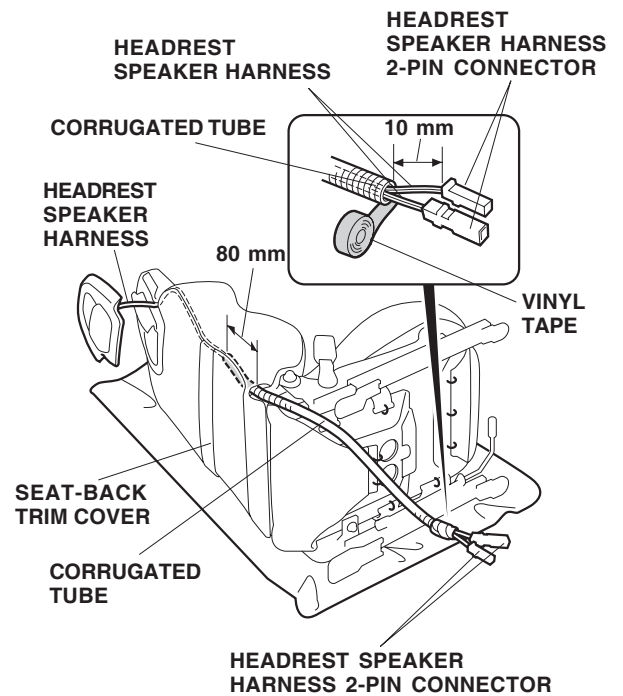


39. Remove the vinyl tape from the bent end of the wire, then secure the headrest speaker 2-pin connector harness to the wire and headrest speaker harness, as shown.

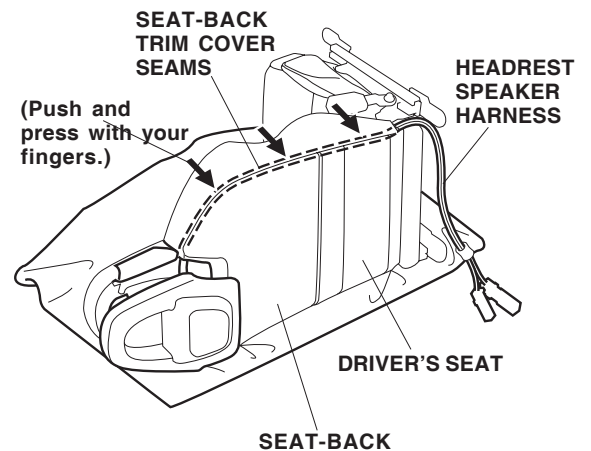


40. Thread the wire and the 2-pin connector back down to the underside of the driver's seat along the seams of the seat-back trim cover as shown.
41. Remove the headrest speaker harness 2-pin connector from the wire.

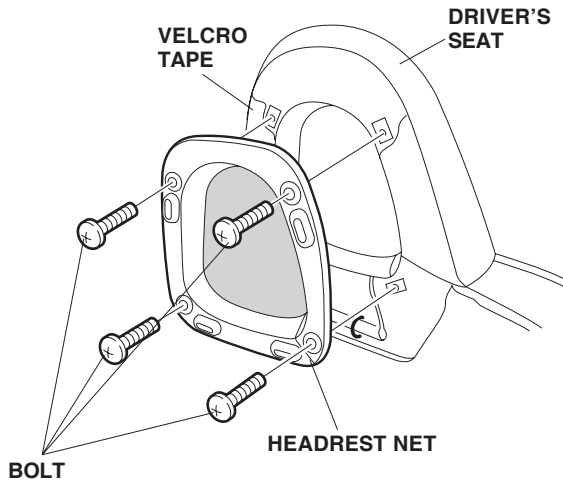
42. Wrap the corrugated tube around the headrest speaker harness as shown.



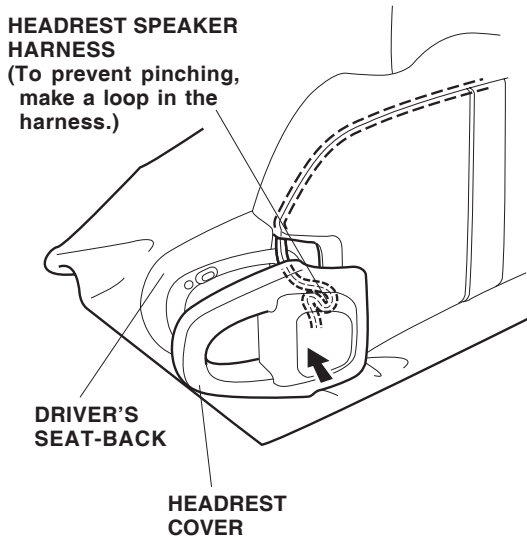
43. Continue wrapping the corrugated tube up to a point about 10 mm away from the end of the 2-pin connector. Secure the end of the corrugated tube to the headrest speaker harness with vinyl tape.
44. Feed 80 mm of the corrugated tube under the seat-back trim cover as shown.
45. Press and push the headrest speaker harness into to the seams of the seat-back trim cover with your fingers, until it is as unnoticeable as possible.



46. Reinstall the Velcro tapes on the headrest trim cover, then attach the headrest net to the driver's seat with four bolts.



47. Loop the excess headrest speaker harness, and reinstall the headrest cover. Do not pinch the headrest speaker harness between the headrest cover and driver's seat-back.

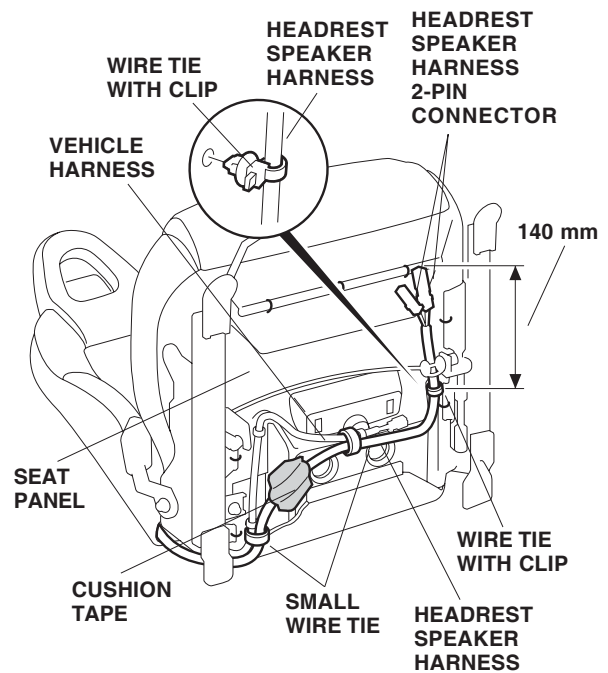


48. Repeat steps 35 through 47 for the passenger's side.

### Securing the Headrest Speaker Harness to the Seat Panel

#### Driver's Seat

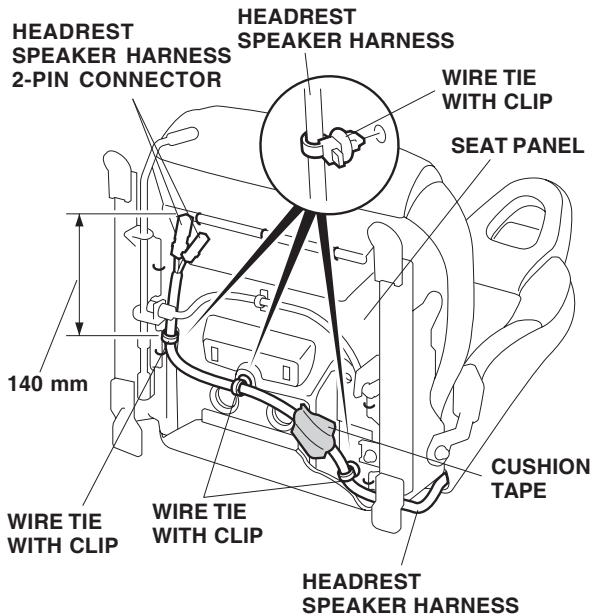
49. To secure the headrest speaker harness to the seat panel, route the headrest speaker harness around the back of the seat, then attach the wire tie with clip to the harness at a point 140 mm away from the end of the 2-pin connector. Push the clip of the wire tie with clip you just attached into the hole in the seat panel.



50. Secure the headrest speaker harness to the vehicle harness with two small wire ties in the areas shown.
51. Using isopropyl alcohol on a shop towel, thoroughly clean the area where the cushion tape will attach, then secure the headrest speaker harness to the seat panel with the cushion tape.

## Passenger's Seat

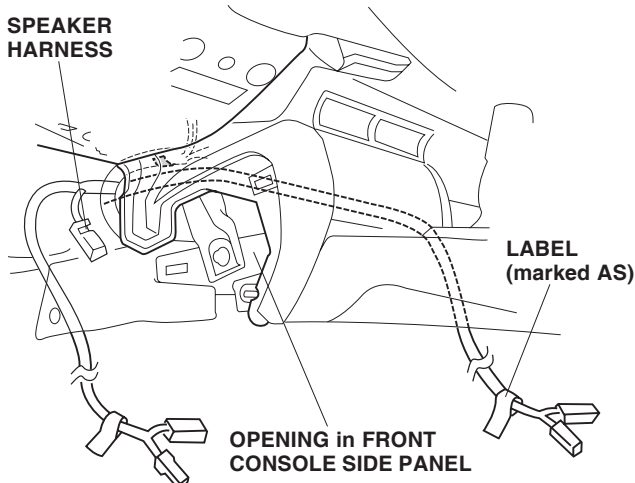
52. Route the headrest speaker harness as shown, then attach the wire tie with clip to the harness at a point 140 mm away from the 2-pin connector. Push the clip of the wire tie with clip you just attached into the hole in the seat panel.
53. Using a isopropyl alcohol on a shop towel, thoroughly clean the area where the cushion tape will be attached.



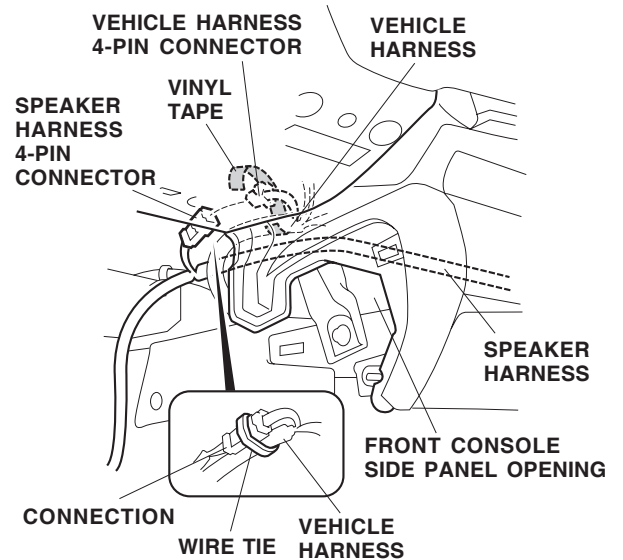
54. Secure the headrest speaker harness to the seat panel with the two wire ties with clip and cushion tape in the areas shown.

## Routing the Speaker Harnesses

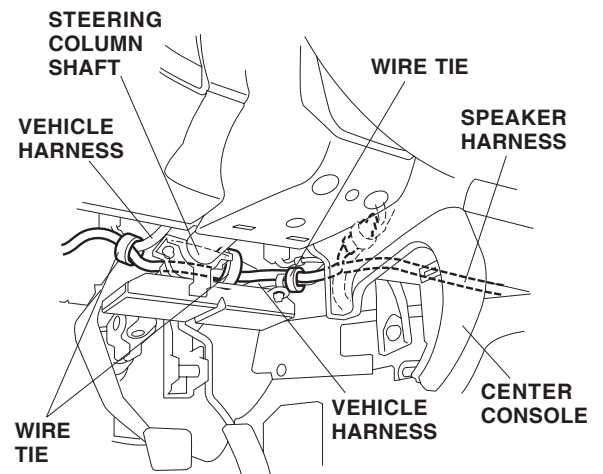
55. Route the label end (marked AS) of the speaker harness to the passenger's seat through the opening in the front console side panel as shown.



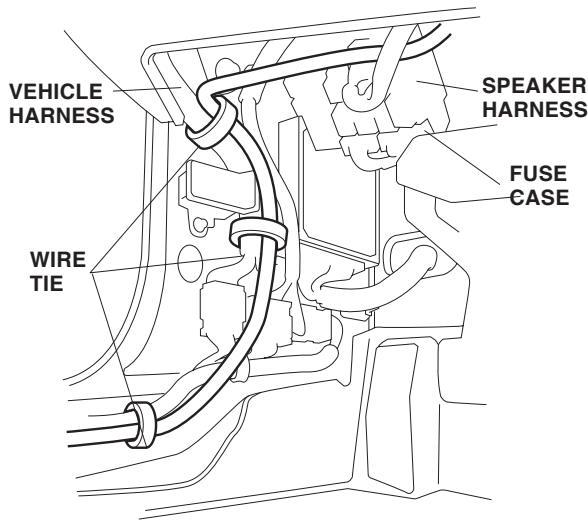
56. Above the opening in the driver's side front console side panel, locate the 4-pin connector taped to the vehicle harness and remove the vinyl tape to free the 4-pin connector.



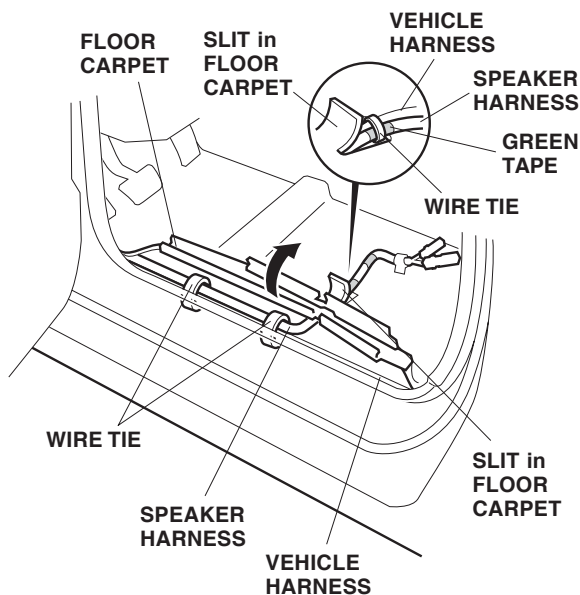
57. Plug the speaker harness 4-pin connector into the vehicle harness 4-pin connector you just unplugged.
58. Secure the 4-pin connectors with a wire tie as shown to the same place it was secured with the vinyl tape.
59. From the center console, route the label end (marked DR) of the speaker harness above the steering column shaft to the left along the vehicle harness.



60. Secure the speaker harness to the vehicle harness with the three wire ties in the areas shown.

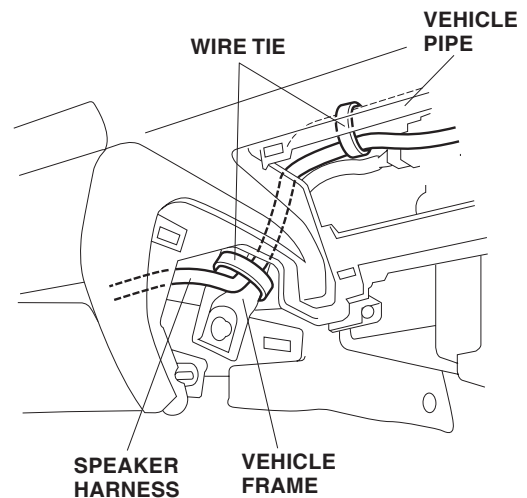


61. Route the speaker harness above the fuse case to the rear along the vehicle harness.
62. Secure the speaker harness to the vehicle harness with the three wire ties in the areas shown.
63. On the driver's side, turn over the floor carpet, then route the speaker harness to the rear along the vehicle harness and out through the slit in the floor carpet as shown.
64. Align the green tape on the speaker harness with the slit in the floor carpet, and secure the harness to the vehicle harness with the three wire ties as shown.

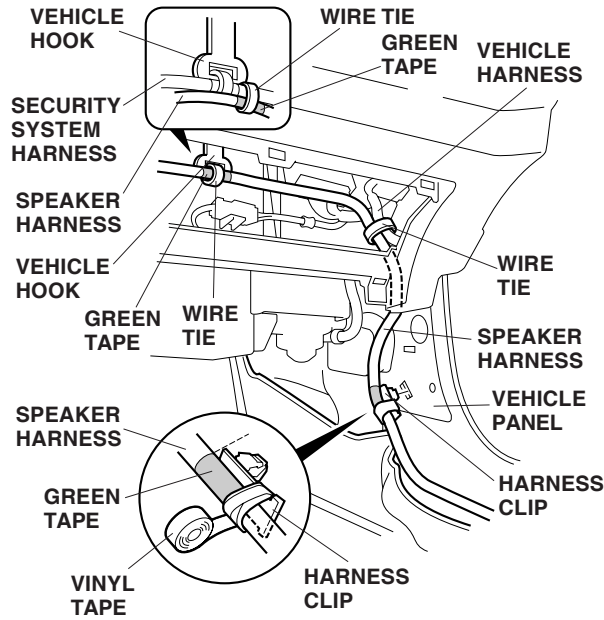


65. Route the speaker harness routed to the assistant's side in step 49 to the right along the vehicle pipe; then, secure the harness to the vehicle frame and pipe with the two wire ties.

66. Align the green tape on the speaker harness with the vehicle hook and secure it to the vehicle hook and vehicle harness with the two wire ties. If the car you are working on is equipped with the security system, secure the speaker harness to the security system harness on the side of the vehicle hook.



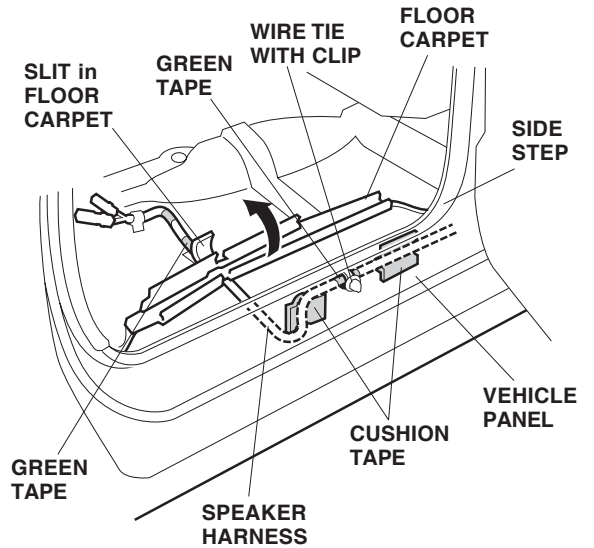
67. Align the harness clip with the green tape on the speaker harness and secure with the vinyl tape.



**Security System Equipped**

68. Push the harness clip attached to the speaker harness into the hole in the vehicle panel.
69. On the passenger's side, turn over the floor carpet and route the speaker harness to the rear along the side step, then pull the harness out through the slit in the floor carpet and align its green tape with the slit in the floor carpet.

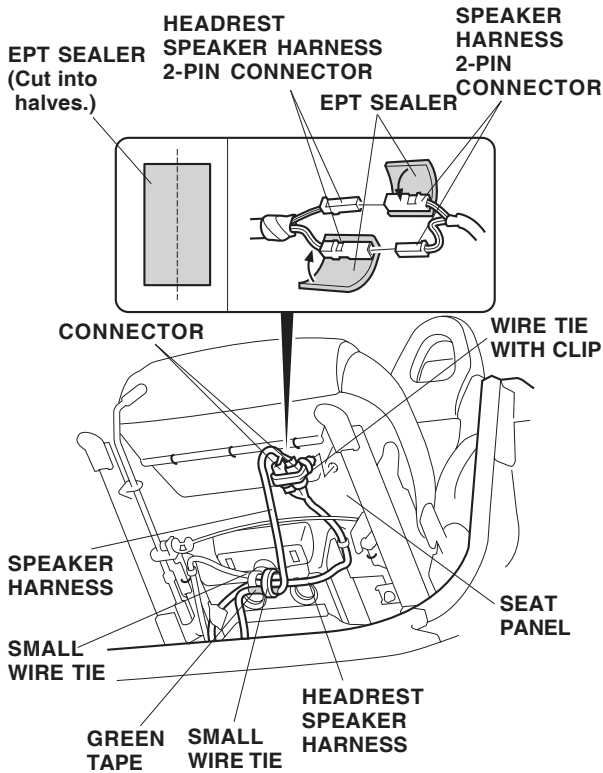
70. Attach the wire tie with clip to the speaker harness where the green tape is wrapped, then push the clip into the hole in the vehicle panel.



71. Using isopropyl alcohol on a shop towel, thoroughly clean the areas where the cushion tapes will attach. Secure the speaker harness to the vehicle panel with two cushion tapes.

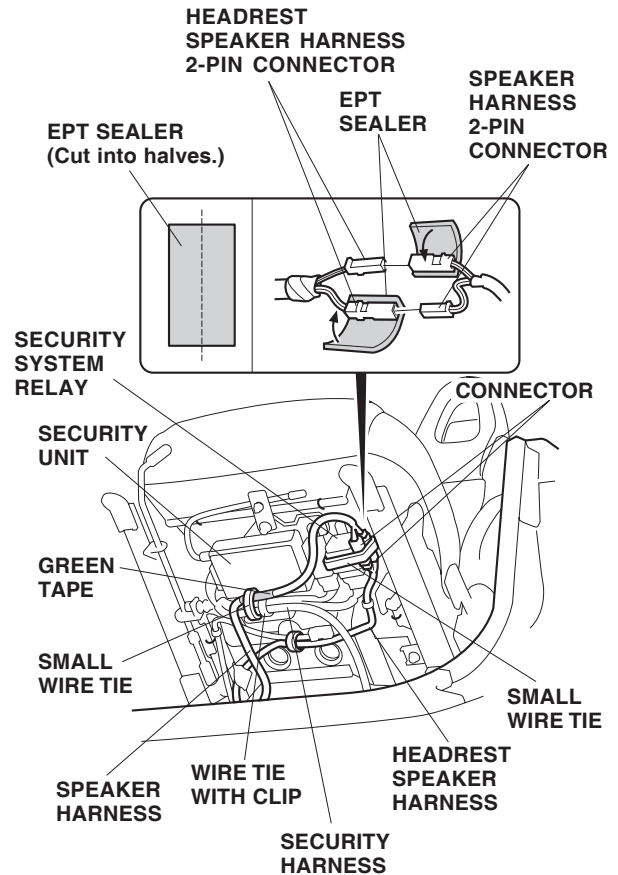
## Installing the Driver's Seat in the Vehicle

72. Secure the speaker harness to the seat panel.
73. Place the driver's seat in the vehicle.
74. Cut the EPT sealer down the middle. Wrap the pieces around the female 2-pin connectors of the headrest speaker and speaker harnesses.



75. If the security system is not installed on the driver's seat side; connect the speaker harness 2-pin connectors to the headrest speaker harness 2-pin connectors, then attach the wire tie with clip to the connectors and push the clip of the wire tie with clip into the hole in the seat panel.
76. Align the green tape on the speaker harness with the small wire tie secured to the center of the seat panel in step 49, then secure the harness to the headrest speaker harness with the small wire tie.

77. If the security system is installed on the drivers seat side: connect the speaker harness 2-pin connectors to the headrest speaker harness 2-pin connectors, then secure them to the relay of the security system with the small wire tie, as shown.

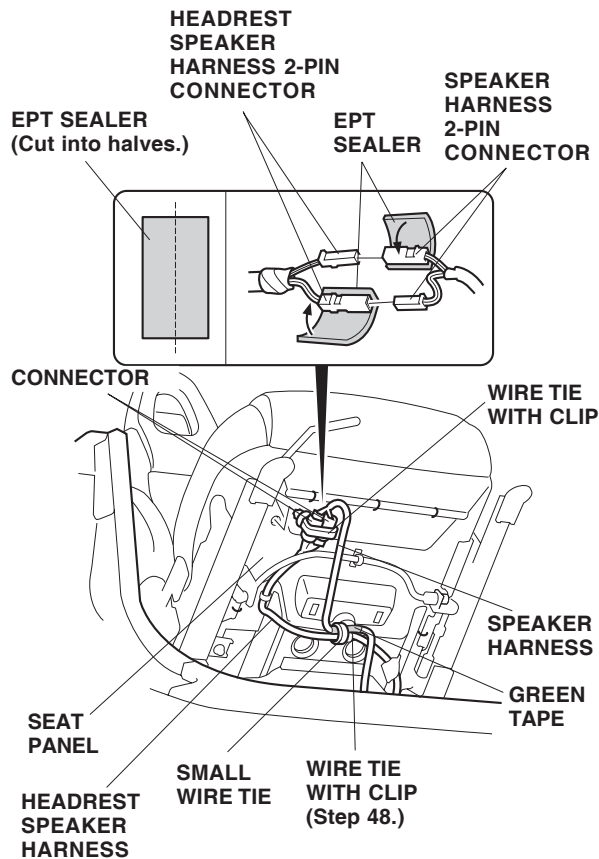


78. Align the green tape on the speaker harness with the wire tie with clip fastening the security harness, and secure the speaker harness to the security harness with the small wire tie.



## Installing the Passenger's Seat in the Vehicle

79. Place the passenger's seat in the vehicle.
80. Cut the EPT sealer down the middle. Wrap the pieces around the 2-pin female connectors of the headrest speaker harness and speaker harness.



81. Connect the speaker harness 2-pin connectors to the headrest speaker harness 2-pin connectors, then secure them to the seat panel by pushing the clip of the wire tie with clip into the hole in the seat panel.
82. Align the green tape on the speaker harness with the wire tie with clip installed at the center of the seat panel in step 52, then secure the harness to the headrest speaker harness with the small wire tie, as described.
83. Reinstall all removed parts. Torque the seat front mounting bolts to 22 N·m (16lb-ft). Torque the seat rear mounting bolts to 29 N·m (22lb-ft).

84. Check that all wire harnesses are routed properly and all connectors are plugged in.
85. Reconnect the negative cable to the battery.
86. Enter the customer's radio anti-theft code, and reset the radio station presets.
87. Reset the clock.
88. Check operation of the Headrest Speaker according to the Owner's Manual provided.