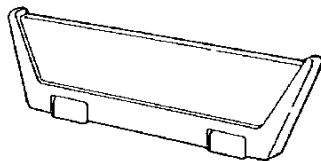
 HONDA INSTALLATION INSTRUCTIONS	Accessory AERO SCREEN P/N 08R05-S2A-100	Application 2000 S2000	Publications No. All 20585
			Issue Date AUG 1999

PARTS LIST

Aero screen



2 Screws



2 Caps



2 Washers



2 Cap nuts



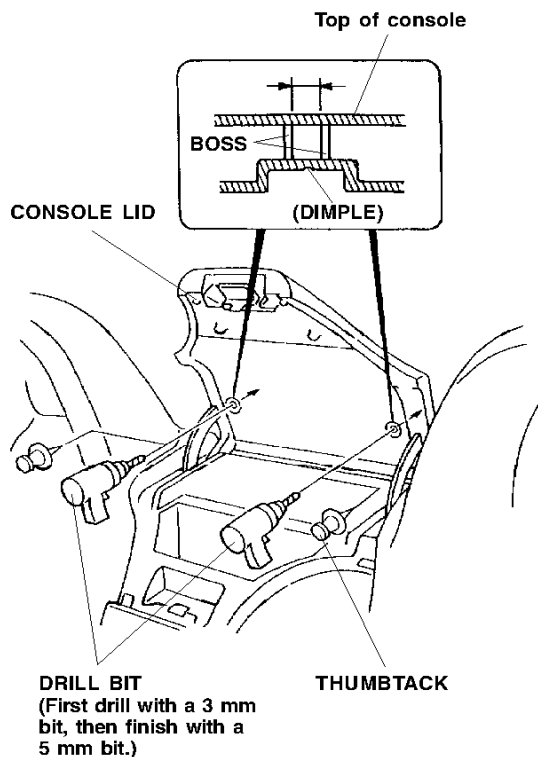
TOOLS AND SUPPLIES REQUIRED

- Drill
- 3 mm and 5 mm Drill bits
- Eye protection (face shield, safety goggles, etc.)
- Round file
- Phillips screwdriver
- Ratchet
- 8 mm Socket
- Thumbtack

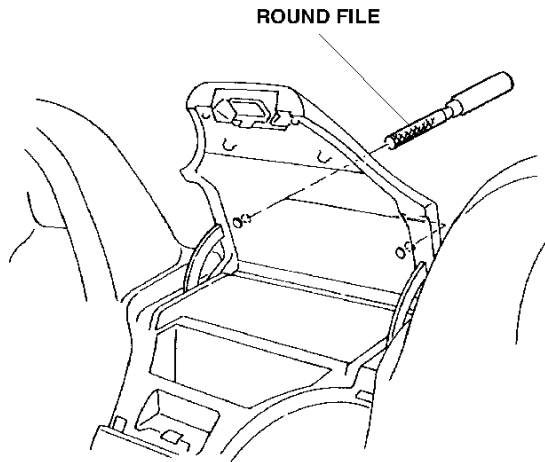
INSTALLATION

NOTE: Be careful not to damage the interior panels of the vehicle when installing the aero screen.

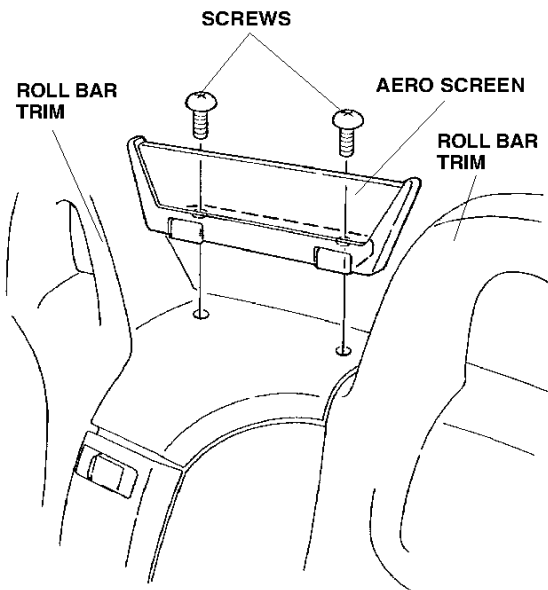
1. Using a thumbtack, mark the console lid at each of the two dimples located on the inside of the console lid.
2. While wearing eye protection, drill a 5 mm hole through each mark:
 - First drill with a 3 mm drill bit, then finish with a 5 mm drill bit.
 - The console lid is a hollow construction with the upper and lower plates surrounded by a series of bosses. Drill the holes squarely until the end of the drill bit comes through the upper plate.
 - To prevent the console lid plates from distorting from excessive heat while drilling, drill the holes slowly.



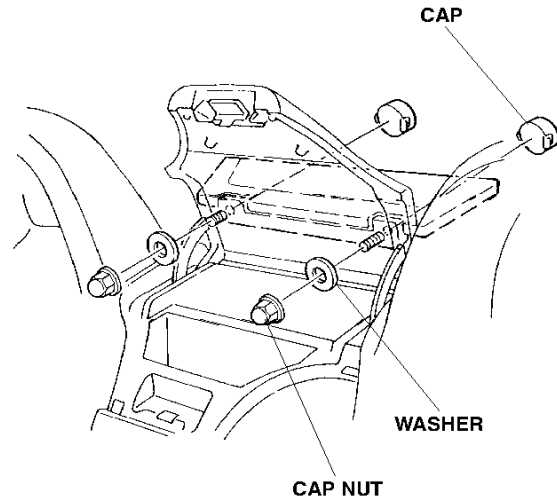
- Using a round file, remove any burrs from the edges of the holes. Be careful not to damage the bosses.



- Position the aero screen on the console lid and install the two screws. Make sure the aero screen is spaced equally on both sides. If necessary, file the screw holes until the aero screen is centered between the roll bar trim on each side.



- Install a washer and a cap nut on the end of each screw, and tighten the cap nuts securely.
- Place a cap over the head of each screw.



- Make sure the aero screen is not interfering with the roll bar trim when the roof is in the stored position. If necessary, file the mounting screw holes, and check the clearance again.

USE AND CARE

- The aero screen plastic lens has a special protective coating. To prevent the coating from cracking, avoid using glass cleaners, leather cleaners, or polishing materials to clean the lens.
- Clean the aero screen only with a soft cloth or a sponge dampened with mild dishwashing soap solution and clean luke-warm water. Allow it to dry out of direct sunlight.