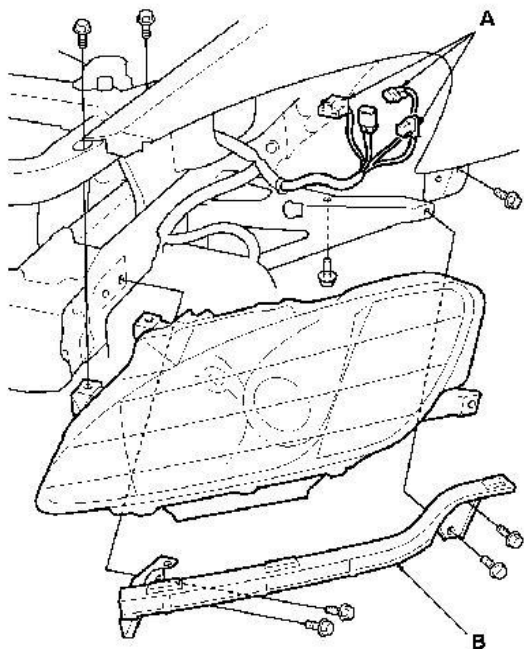


Hope this helps to those that need it:



1. Remove the front bumper

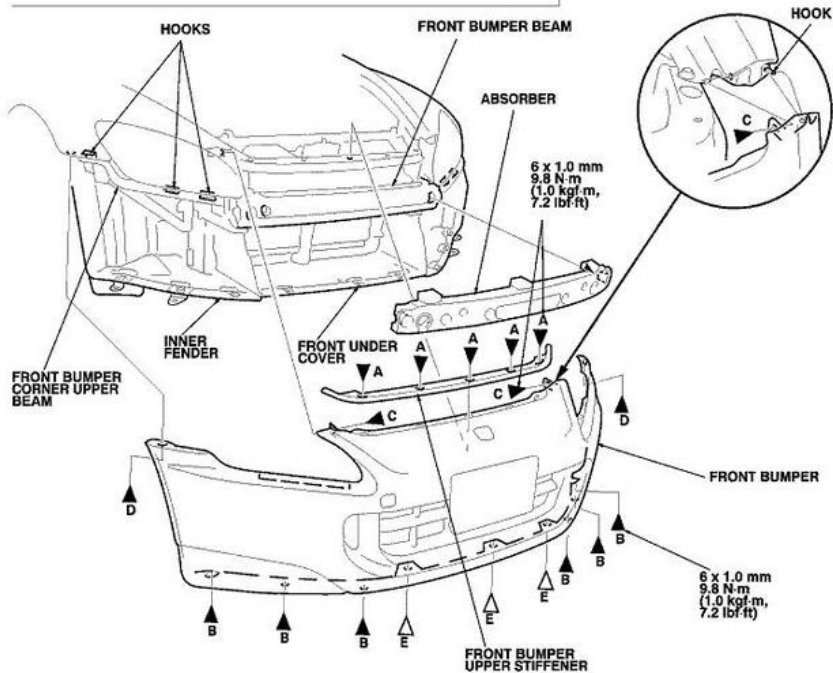
NOTE:

- Have an assistant help you remove and install the front bumper. Take care not to scratch the front bumper and body.
- Put on gloves to protect your hands.

1. Remove the front bumper as shown.

Fastener Locations

A ▶ Bolt, 5 B ▶ Bolt, 6 C ▶ Bolt, 2 D ▶ Screw, 2 E ▶ Clip, 3



1. Install the bumper in the reverse order of removal, and note these items:
 - Make sure the front bumper engages the hooks of the corner upper beams and front fenders securely.
 - Check if the clips are damaged or stress-whitened, and if necessary, replace them with new ones.
 - Push the clips into place securely.

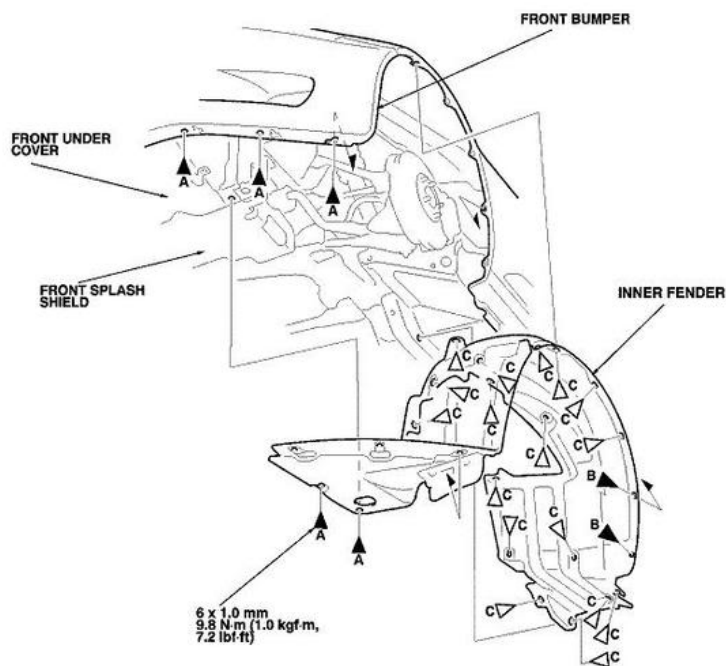
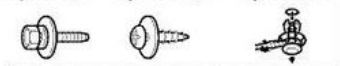
1. Remove the front part of the inner fender as necessary.

NOTE: Take care not to scratch the body.

1. Remove the front wheel.
2. Remove the inner fender as shown.

Fastener Locations

A ▶ : Bolt, 5 B ▶ : Screw, 2 C ▶ : Clip, 17



1. Install the inner fender in the reverse order of removal, and note these items:
 - Check if the clips are damaged or stress-whitened, and if necessary, replace them with new ones.
 - Push the clips into place securely.
1. Disconnect the connectors (A) from the headlights.
Remove the four bolts, then remove the corner upper beam (B).

Headlight (High):

55 W

Headlight (Low):

35 W

Front Turn Signal Light:

21 W

Front Parking Light ('00-03 models):

5 W

Front Parking/Side Marker Light ('04-08 models):

5 W

Remove the four bolts, then remove the headlight assembly.

Install the headlight in the reverse order of removal.

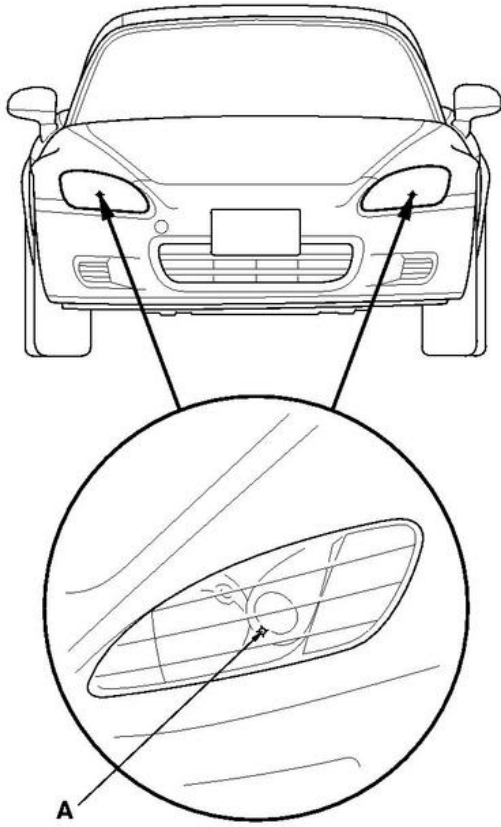
2. After replacement, adjust the headlights to local requirements.

Headlights become very hot during use; do not touch them or any attaching hardware immediately after they have been turned off.

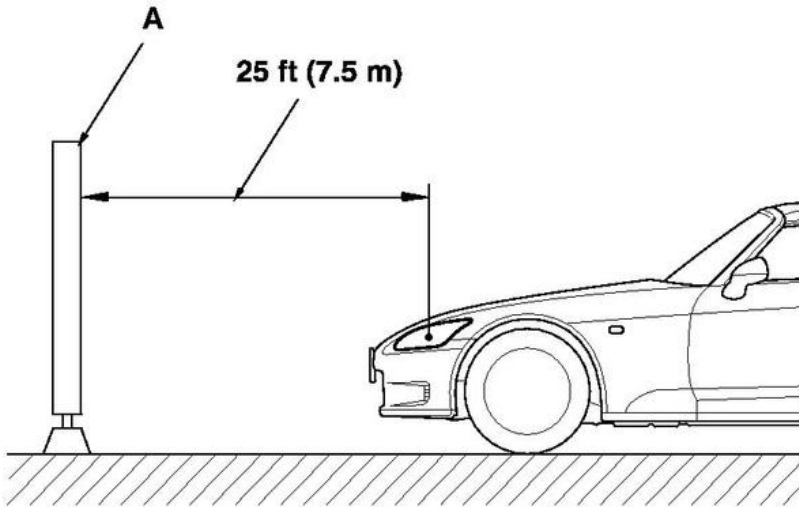
Before adjusting the headlights:

- Park the vehicle on a level surface.
Make sure the tire pressures are correct.
- The driver or someone who weighs the same should sit in the driver's seat.

1. Clean the outer lens so that you can see the center of the headlights (A).



1. Park the vehicle 25 ft (7.5 m) away from a wall or a screen (A).
Open the hood.
2. Turn the low beams on.



1. Determine if the headlights are aimed properly.
Vertical adjustment:
Measure the height of the headlights (A). The lights should reflect 52 mm (2.1 in.) below headlight height (B).
1. If necessary, adjust the headlights to local requirements by turning the vertical adjuster (A).

